

WLD2

Quad water leak detector with WiFi and Ethernet. Support for WWW, SNMP and PoE.



4 WLD Water Leak Detection

4 E-mail notification

4 SMS gateway

4 VIRTUAL output

4 SNMP trap

Web server

Wi-Fi

SensDesk portal

Ethernet

PoE (power over ethernet)

WLD2 is a WiFi / Ethernet water leak detector with support for WWW, SNMP, e-mails and PoE. It uses up to 4 very sensitive sensing cables. Alarms are triggered by even the smallest volumes of liquids, such as condensation from A/C pipes or water leaks in general. You will receive alarms before costly damages occur. In addition to flooding, the device also detects disconnected or damaged sensing cables for increased reliability.

Compared to HWg-WLD, up to 4 independent detecting cables can be connected to the WLD2 to help locate the leak more accurately.

Flooding can be also indicated by switching a remote output (e.g. a relay) over the network (Box-2-Box mode with a Poseidon2 or Damocles2 unit), independently for each sensing cable.

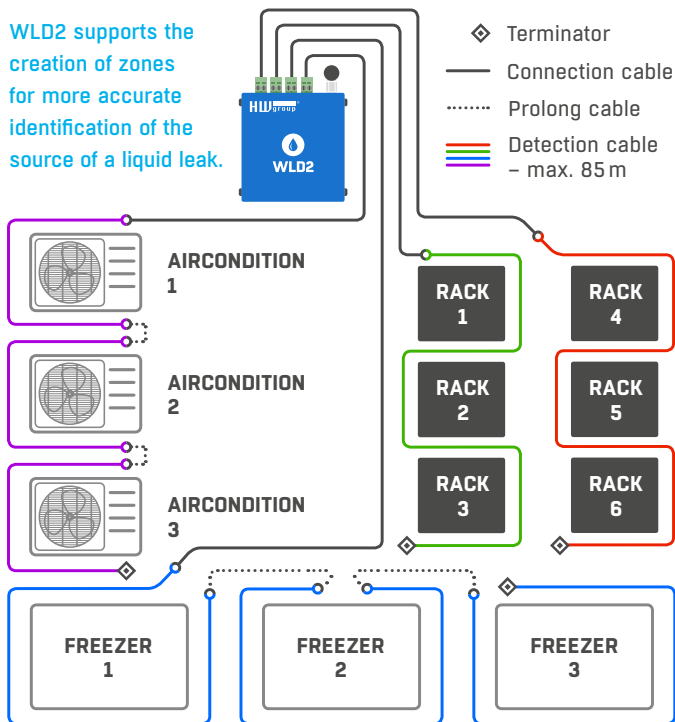
Thanks to WiFi connectivity, the WLD2 water leak detector can be installed in remote places. In case of flooding it can send an alert via e-mail, SNMP trap or the SensDesk cloud. With an external SMS gateway by HW group it can send a text message or dial a phone number.

Each detection circuit can consist of up to 85 m of sensing cable + up to 100 m of connecting cable.

Typical application examples

- Water detection under raised floors
- Leaky pipe detection (cable wrapped along the pipe)
- Protection against floods from skylights – sensing cable routed along the walls
- Detection of water leaks in drip trays
- Detection of water leaks under air-conditioning outlets

WLD2 supports the creation of zones for more accurate identification of the source of a liquid leak.



Ethernet	
Interface	RJ45 (10/100BASE-T)
Supported protocols	IP: ARP, TCP/IP (HTTP, HTTPS, SNMP), SMTP, HWg-Push, netGSM, TLS), UDP/IP (SNMP)
SNMP	Version 1 fully supported, some parts version 2

WiFi	
Supported standards	802.11 b/g/n
Frequency	2,4GHz
Output	+19.5 dBm output power in 802.11b mode +16 dBm for 802.11n
Security	WEP / WPA / WPA2 PSK / WPA2 TSK / WPS
Antenna	Internal

External sensors	
Number/Connectors	WLD1, WLD2, WLD3, WLD4 / terminal blocks
Type	Moisture sensing cable
Connector	Terminal block
Sensor states	0 = OK, 1 = Flooded, 2 = Cable disconnected
Sensing cable length	Max. 85m
Cable extension	May be extended by at most 100m, AWG 24

Power supply	
Power voltage	5V / 250mA
Connector	Jack Ø3.5×1.35 / 10mm
PoE (Power over Ethernet)	RJ45 - IEEE 802.3af Class 0

Other parameters	
Operating temperature	-10 to 60 °C (range of device operating temperatures – may not correspond to sensor range)
Dimensions/weight	65×80×30 mm / 500 g
Elmag. radiation	CE / FCC Part 15, Class B
Elmag. compatibility	EN 55022, EN 55024, EN 61000

Comparison of HWg-WLD and WLD2

Function	HWg-WLD	WLD2
WLD circuits	1	4
Ethernet	✓	✓
WiFi	✗	✓
HTTPs	✗	✓
External antenna	✗	✓
TLS	✗	✓
SensDesk support	✗	✓
PoE	✗	✓
Remote outputs	1	4

Configuration interface

The screenshot shows the WLD2 configuration interface. The top navigation bar includes: HOME, GENERAL SETUP, SECURITY, WIFI, SENSORS, OUTPUTS, EMAIL, SMS, ALARMS, SNMP, TIME, PORTAL, SYSTEM. The main content area is divided into two sections:

- Basic Info:** Device Name: WLD2 5905-10A1, Time: 13:49:17, Date: 14.02.2020.
- Sensors:** A table with columns: state, name, current value.

state	name	current value
🟢	Water 501	0 - Normal WLD
🟢	Water 502	0 - Normal WLD
🟢	Water 503	0 - Normal WLD
🟢	Water 504	2 - Disconn. WLD

Related products



WLD sensing cable A – 2+50m

Water leak detection cable in the length of 50m, supplemented by 2 meters of connecting cable. For use with units WLD2, HWg-WLD and Sensor WLD Relay 1W-UNI.



WLD sensing cable A – 2+10m

Water leak detection cable in the length of 10m, supplemented by 2 meters of connecting cable. For use with units WLD2, HWg-WLD and Sensor WLD Relay 1W-UNI.



WLD A prolong cable 5m

Prolong non-sensitive cable 5m for WLD type A. Can be extended to up to 100m in total.



SMS-GW3 LTE

SMS-GW3 LTE is a LAN gateway for sending alarm SMS from HW group devices.