

AirLink® LX40: LTE Router

The AirLink® LX40 is a compact LTE router offering “out-of-the box” LTE and Wi-Fi connectivity that is simple to install. The LX40 supports security, digital signage and IoT applications in fixed, protected environments.



AirLink® LX40
 Ultra Compact LTE Commercial Router for Security Cameras, Digital Signage, IoT, and Small Business



AirLink® LX40 – Router Specifications

	North America	EMEA	Australia & New Zealand
CELLULAR			
Peak D/L	Up to 150 Mbps, Cat-4 (WP7610)	Up to 150 Mbps, Cat-4 (WP7607)	Up to 150 Mbps, Cat-4 (WP7609)
Peak U/L	Up to 50 Mbps	Up to 50 Mbps	Up to 50 Mbps
4G LTE			
Frequency Bands	B1, B4, B5, B12, B13, B14, B17, B66	B1, B3, B7, B8, B20, B28	B1, B3, B5, B7, B8, B28
3G WCDMA/HSPA+			
Frequency Bands	B2, B4, B5	B1, B8	B1, B5, B8
2G GSM/GPRS			
Frequency Bands		900, 1800	

Approvals

Regulatory	FCC, IC, PTCRB	GCF, CE	GCF, RCM
-------------------	----------------	---------	----------

Carrier	AT&T, Verizon, T-Mobile
----------------	-------------------------

Part Numbers

Part Numbers	1104579, 1104573 (WiFi)	1104181, 1104182 (Wi-Fi)	1104183, 1104184 (Wi-Fi)
---------------------	-------------------------	--------------------------	--------------------------

HOST INTERFACES

- 1 Gigabit RJ-45 Ethernet Port (POE)
- USB 2.0 Micro-B Connector
- 2 SMA antenna connectors (cellular, diversity)
- 1 RP SMA antenna connector (Wi-Fi)

SECURITY

- Remote Authentication (LDAP, RADIUS, TACACS+) DMZ
- Inbound and Outbound Port filtering
- Inbound and Outbound Trusted IP
- MAC Address Filtering
- PCI compatible
- Secure Firmware Update

WI-FI (OPTIONAL)

- Dual Band 2.4/5GHz Wi-Fi
- 802.11 b/g/n/ac (Wave2 Client Mode)
- Support for 10 clients, WPA2 Enterprise
- Output power 16dBm per channel
- Access Point or Client Mode (Wi-Fi as WAN)
- Single SSID Support
- Captive Portal

LAN (ETHERNET/USB)

- DHCP Server
- IP Passthrough
- VLAN
- Host Interface Watchdog
- PPPoE

ENVIRONMENTAL

Operating Temperature	-20°C to +65°C / -4°F to +149°F (+60°C / +140°F when using PoE)
------------------------------	---

Storage Temperature	-40°C to +85°C / -40°F to +185°F
----------------------------	----------------------------------

Humidity	90% RH @ 60°C
-----------------	---------------

- Military Spec MIL-STD-810G conformance to shock, vibration, thermal shock, and humidity
- IP21 rated ingress protection

POWER

Input/Operating Voltage 7 to 36 VDC

Power Modes Low voltage disconnect to prevent battery drain
Built-in protection against voltage transients
Power-over-Ethernet (PoE) powered device
Ignition Sense with time delay shutdown

INPUT/OUTPUT

Configurable I/O pin on power connector
Digital Inputs: ON Voltage: 2.7 to 36 VDC
Configurable Pull-ups for dry contact input
Digital Open Collector Output > sinking 500 mA
Analog Inputs: 0.5-36VDC (range selectable)

NETWORK AND ROUTING

Network Address Translation (NAT) Reliable Static Route
Port Forwarding Dynamic DNS
Policy Routing Verizon PNTM
NEMO/DMNR IPV6 Gateway
VRRP

VPN

IPsec, GRE, and OpenVPN Client
Up to 5 concurrent tunnels
Split Tunnel
Dead Peer Detection (DPD)

ROUTER MANAGEMENT INTERFACES

Local web user interface
AT Command Line Interface (Telnet/SSH)
SNMP
SMS Commands

APPLICATION FRAMEWORK

ALEOS Application Framework (AAF)
LUA Scripting Language

EVENTS ENGINE

Custom event triggers and reports
Configurable interface, no programming

Event Types Digital Input, Network Parameters, Data Usage, Timer, Power, Device Temperature and Voltage

Report Types RAP, SMS, Email, SNMP Trap, TCP (Binary, XML, CSV)

Event Actions Drive Relay Output

INDUSTRY CERTIFICATIONS

Safety IECCE Certification Bodies Scheme (CB Scheme), UL 60950

Vehicle Usage E-Mark (UN ECE Regulation 10.04), ISO7637-2, SAE J1455 (Shock, Vibration, Electrical)

Environments RoHS2, REACH, WEEE

Public Safety FirstNet®

SUPPORT AND WARRANTY

1 year standard warranty with up to 5 years extended warranty with current AirLink Complete subscription. Unrestricted critical firmware updates.

ACCESSORIES

In The Box LX40, DC Power Cable and Quick Start Guide

Other Accessories (sold separately) 2000579 AC Adapter, 12VDC
6001221 DIN Rail Bracket
6001110 Cellular Paddle Antenna
6001111 Wi-Fi 2.4/5Hz Paddle Antenna

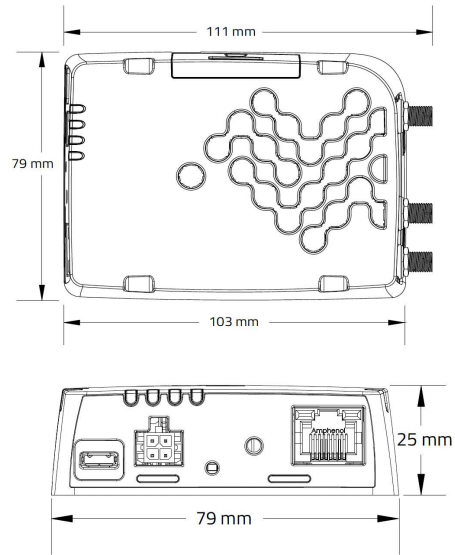
For antenna options visit: sierrawireless.com/antennas

CONSTRUCTION

Polycarbonate housings that meet MIL-810/IP21 environmental standards.

DIMENSIONS

103 mm (111 mm including connectors) x 79 mm x 25 mm 4.1 in (4.4 in including connectors) x 3.1 in x 1.0 in
Weight: 250g



**For carrier specific band support please refer to the hardware user guide.*