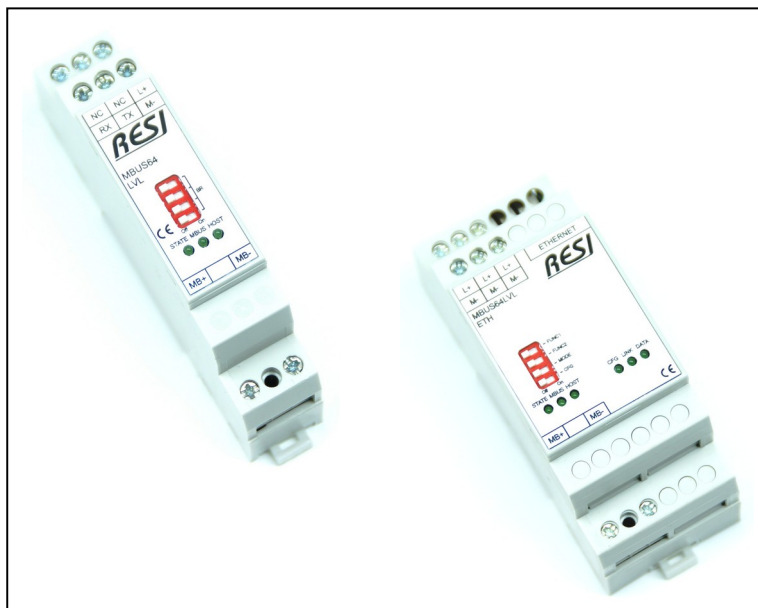


Level converters between MBUS and RS232/Ethernet

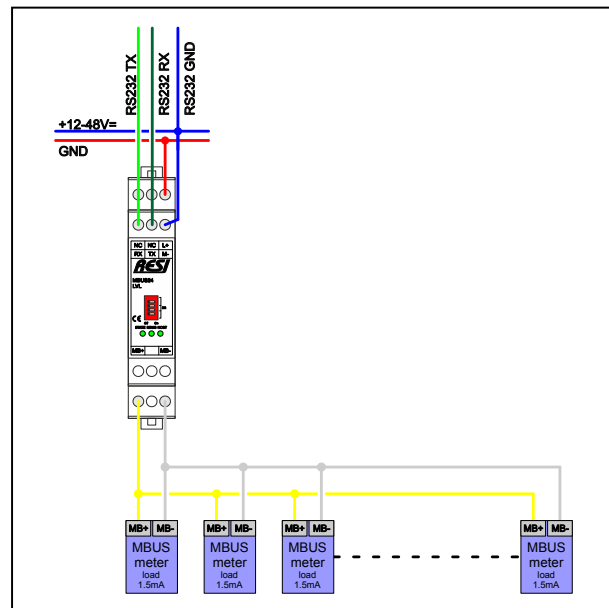
RESI-MBUSx-LVL, RESI-MBUSxLVL-ETH

Powerful level converters to read-out data from smart meter with MBUS interface with your own software

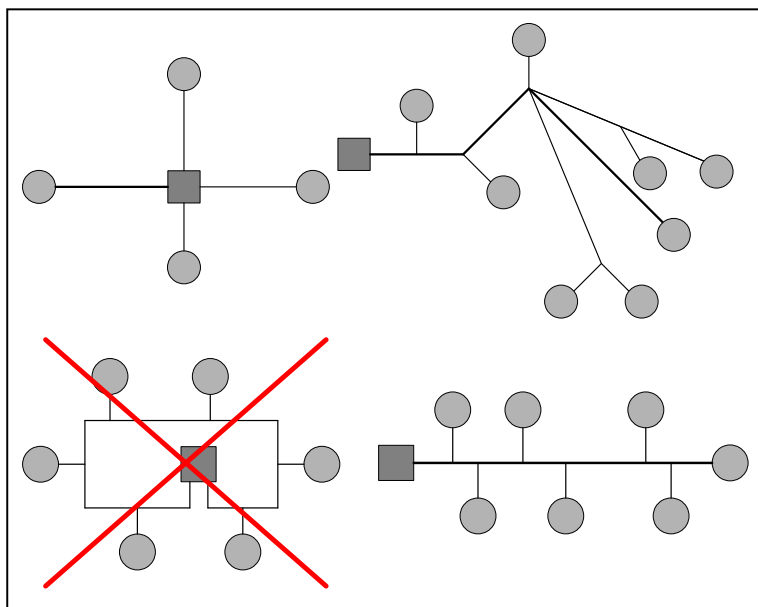
Our MBUS level converters are designed to read-out smart meter data like volume, power or energy via MBUS protocol from the field. The level converters communicate with your host via standard MBUS protocol. So the host software has to generate and interpret the MBUS protocol frames. The communication is handled via serial interface (RS232) or via Ethernet. On the MBUS side, the MBUS interface is galvanic-ally insulated from the serial or Ethernet interface. The smart meters can be connected in line, tree or star topology with a maximum cable length of 10km.



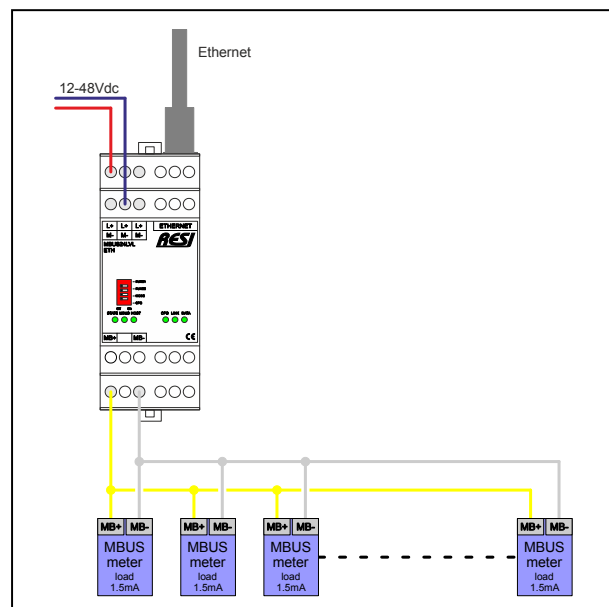
Our family of MBUS gateways



Schematics MBUS level converter with RS232 interface



MBUS cabling topologies



Schematics MBUS level converter with Ethernet interface

HIGHLIGHTS

- Read-out of data of up to 64 smart meter with MBUS protocol
- MBUS protocol is handled by host
- MBUS cable length: max. 10km
- RESI-MBUSx-LVL: Serial interface: RS232
- RESI-MBUSxLVL-ETH: Ethernet interface
- Power supply: 12-48Vdc

SERIAL LEVEL CONVERTER	ETHERNET LEVEL CONVERTER	
RESI-MBUS24-LVL	RESI-MBUS24LVL-ETH	24 meter
RESI-MBUS48-LVL	RESI-MBUS48LVL-ETH	48 meter
RESI-MBUS64-LVL	RESI-MBUS64LVL-ETH	64 meter