

Compact Design & High Efficient Touch Panel PC

PMX-090T

FEATURES

- 9" TFT LCD with Resistive Touchscreen
- DM&P Processor 1 GHz Onboard
- 512MB / 1GB System Memory Onboard
- Compact Flash Type I/II / Micro SD Slot
- Wi-Fi Support (Optional)
- Fanless and Low Power Consumption
- Metal Chassis with Compact Design

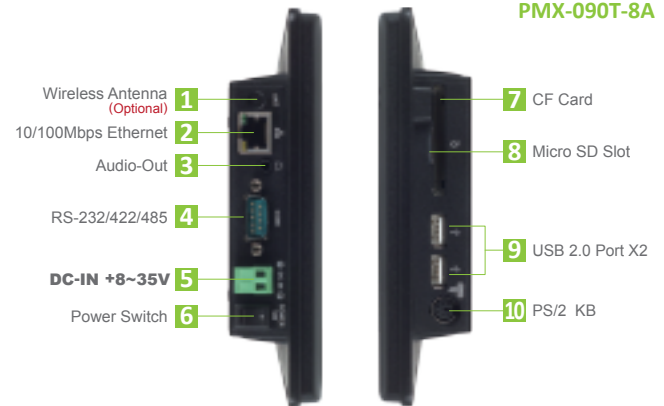


OVERVIEW

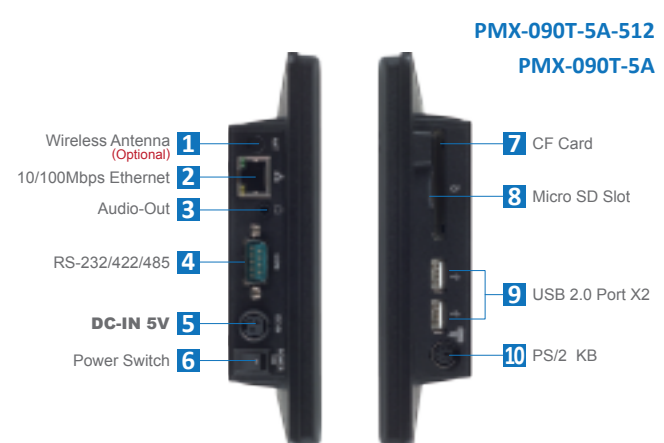
FRONT VIEW



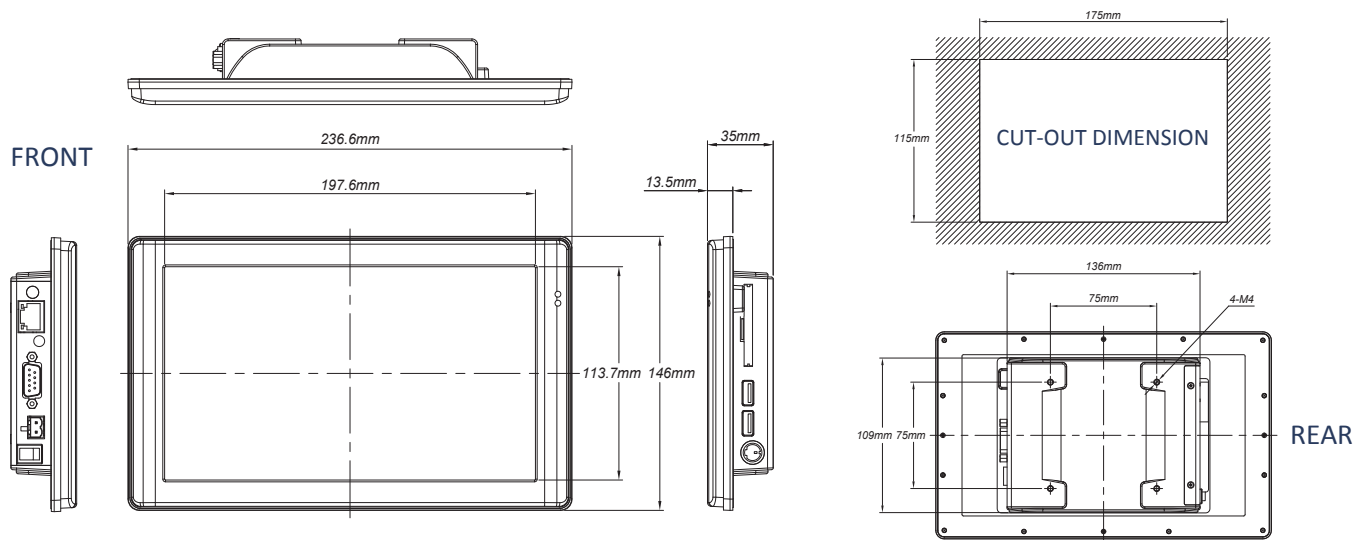
I/O VIEW



REAR VIEW



DIMENSIONS & SPECIFICATION



Specification	Model	PMX-090T
LCD Display	Type	WSVGA TFT LCD
	Size	9"
	Resolution (Pixel)	1024x600
	Colors	262,144
	View Angle	Vertical 120° / Horizontal 140°
	Brightness	300 cd/m2
	Backlight life	25,000 hrs
	Contrast Ratio	500 : 1
CPU		DM&P Vortex86MX+ 1GHz
Cache		L1: 16KB I-Cache, 16KB D-Cache / L2: 256KB Cache
Memory		512MB / 1GB DDRII Onboard
Watchdog Timer		Software Programmable from 30.5u to 512 seconds x 2 sets
Serial Port		RS-232 / 422 / 485 x 1
USB Ports		USB Ports (Version 2.0) x 2
Ethernet		Integrated 10 / 100 M Ethernet
Audio		HD Audio-Realtek ALC262 CODEC
Internal Drives		Compact Flash Type I/II Slot, Micro SD Slot
Touch Screen Type		Analog Resistive
Expansion Slot		Wi-Fi Optional
Power Requirement		+5VDC / +8~+35VDC
Power Consumption		+5VDC@1.5A
Operating Temperature		0 ~ +50°C (+32 ~ +122°F)
Storage Temperature		-10 ~ +60°C (+14 ~ +140°F)
Operating Humidity		0% ~ 90% Relative Humidity, Non-Condensing
Operating System		DOS, Linux, Windows CE, Windows XP
Dimensions		236.6 x 146 x 35 mm (9.31 x 5.75 x 1.38 inches)
Weight		468 g
Certification		CE, FCC, VCCI, Vibration, IP65 (Front Panel)

ORDERING INFORMATION

PMX-090T-5A-512	9" Vortex86MX+ Panel PC w/512MB RAM / 2USB / Line-Out / LAN / 1COM / CF / Micro SD / Power Adapter
PMX-090T-8A-512	9" Vortex86MX+ Panel PC w/512MB RAM / 2USB / Line-Out / LAN / 1COM / CF / Micro SD
PMX-090T-5A	9" Vortex86MX+ Panel PC w/1GB RAM / 2USB / Line-Out / LAN / 1COM / CF / Micro SD / Power Adapter
PMX-090T-8A	9" Vortex86MX+ Panel PC w/1GB RAM / 2USB / Line-Out / LAN / 1COM / CF / Micro SD